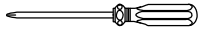


Installation Instructions

PA-3232-RD/PA-4040-RD

SUGGESTED TOOLS AND MATERIALS



Screwdriver



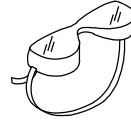
Level



Drill



Tape Measure



Safety Glasses



Pencil

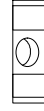
PARTS & HAREWARE INCLUDED



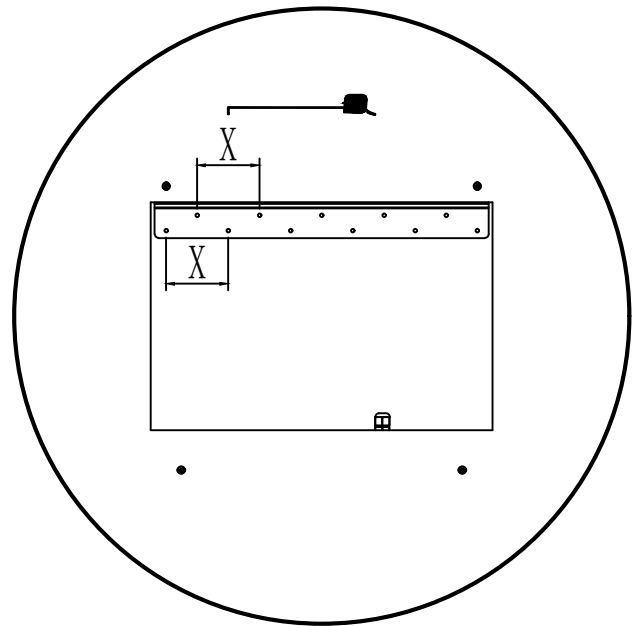
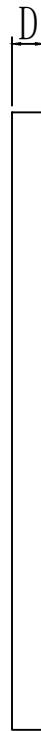
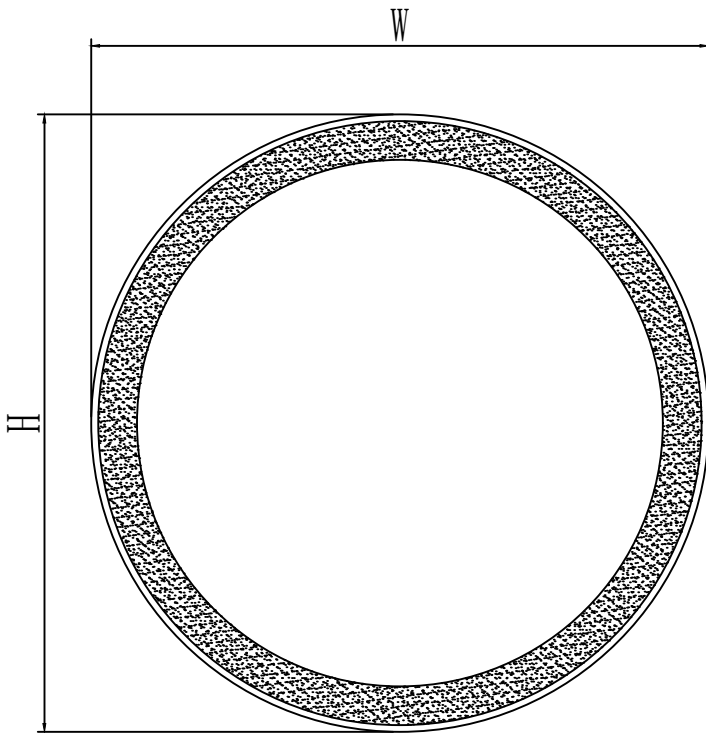
Anchor 6x



Screw 6x



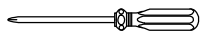
Level 1x



Installation Instructions

PA-3232-RD/PA-4040-RD

SUGGESTED TOOLS AND MATERIALS



Screwdriver



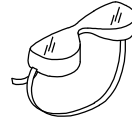
Level



Drill



Tape Measure



Safety Glasses



Pencil

PARTS & HAREWARE INCLUDED



Anchor 6x



Screw 6x



Level 1x

INSTALLATION INSTRUCTIONS

①

1>Level the hanging cleat with a level ruler and mark the installation hole position of the hanging cleat with a pencil
2>Drill holes

②

Insert the anchors into the wall(Use at least 5 anchors).

③

Install the hanging cleat into the wall.
Use 5x45mm screws to hanging cleat to wall(Use at least 5 screws).

④

Wiring from light fitting

Neutral Wire	⊖	⊖	white(N)
Earth(green/yellow)	⊖	⊖	Green/yellow \oplus
Live Wire	⊖	⊖	black(L)

⑤

Hang the mirror onto the wall.

DETAIL A